



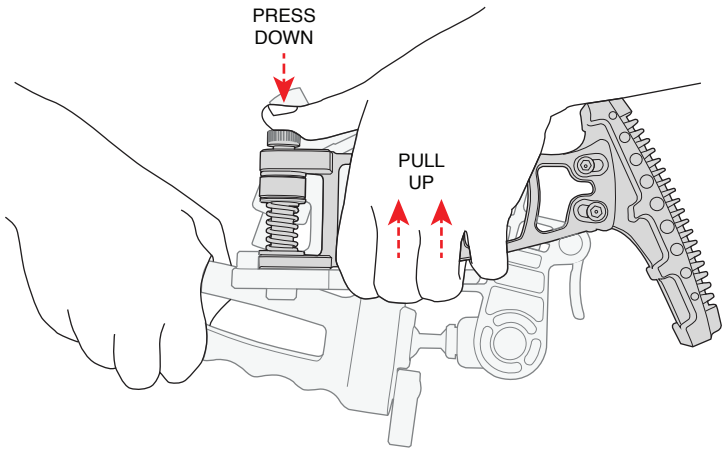
MARAUDER

INSTRUCTIONS

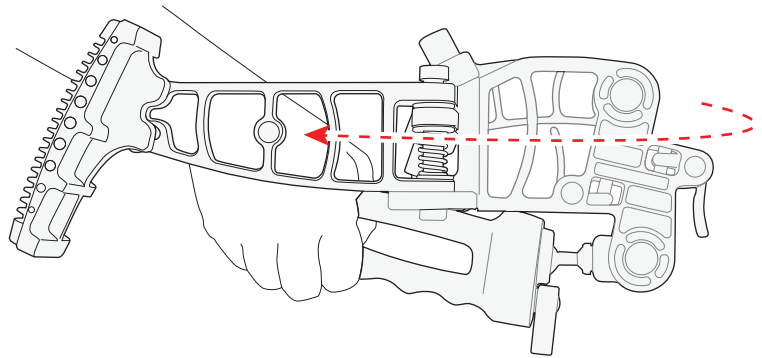
NEED MORE HELP?

check out our tutorial videos at zacuto.com

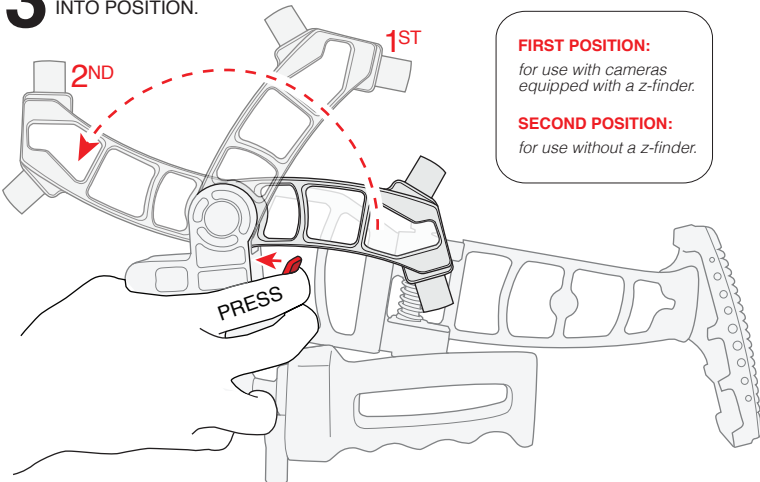
1 TO UNFOLD GUNSTOCK PUSH DOWN ON SILVER BOLT WITH YOUR THUMB WHILE PULLING UP ON THE BOTTOM OF THE GUNSTOCK ARM.



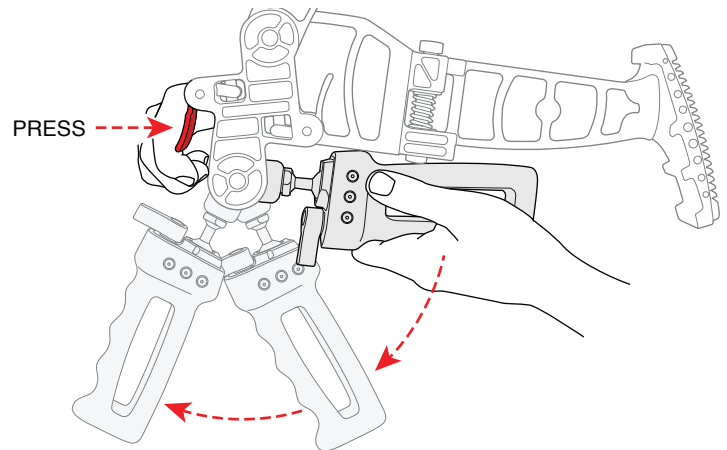
2 WITH THE GUNSTOCK ARM LIFTED, ROTATE THE ARM 180 INTO THE OPEN POSITION AS SHOWN.



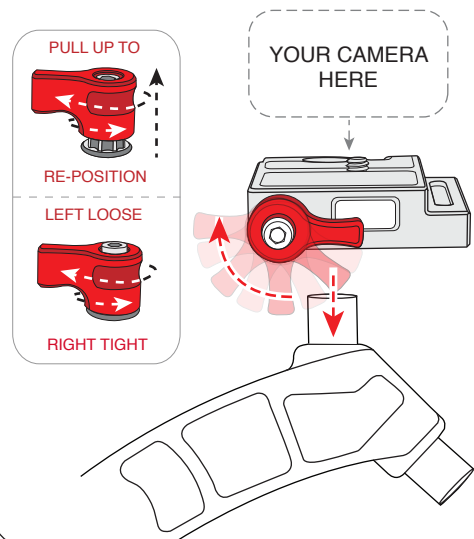
3 NEXT PRESS THE LEVER AS SHOWN AND RAISE THE CAMERA SUPPORT ARM INTO POSITION.



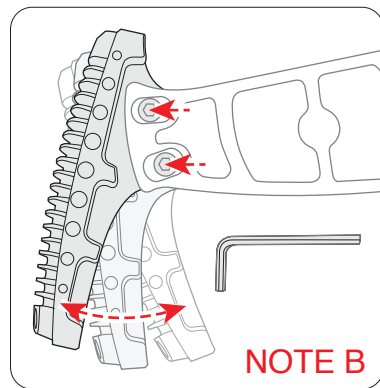
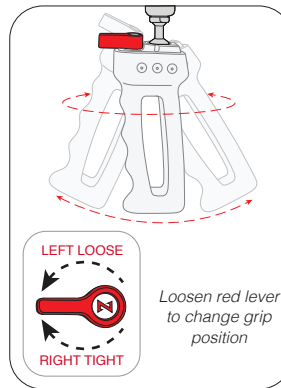
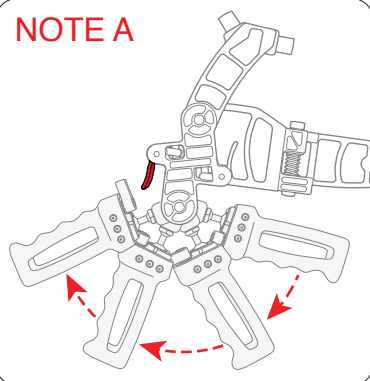
4 FINALLY PRESS THE LEVER IN THE FRONT OF THE MARAUDER AND SWING THE GRIP DOWN TWO CLICKS INTO THE MIDDLE POSITION OR WHERE DESIRED (SEE NOTE A)



5 WITH YOUR CAMERA ATTACHED TO THE GORILLA PLATE, ENGAGE 15MM ROD STUD INTO THE BOTTOM OF THE BASEPLATE AND SECURE BY TURNING THE RED LEVER.



NOTE A



NOTE A: Grip: There are 4 different open positions for the grip that vary the distance from the shooter's body. Choose the one that is most comfortable for you and use the lever to articulate the grip into a comfortable position.

NOTE B: Gunstock:

The gunstock can be pivoted so that it makes optimal contact with the shooter's chest or shoulder. Loosen the 2 screws to pivot the pad to the correct angle.

In some instances, depending on the type of camera used or the size of the shooter, the gunstock pad will need to be flipped into the up position for optimal comfort. To do this, unscrew the 2 10-32 allen screws completely, flip the gunstock 180 and reattach the screws.