

## HASSELBLAD HCD 4,8/24

The HCD 24mm lens is an ultra-wide angle lens with an advanced optical design for outstanding performance with extreme corner to corner sharpness. This compact lens is perfect for shooting in confined spaces and is a perfect

companion to the HTS 1.5x Tilt/Shift adapter providing a 37mm (equivalent to 27 mm focal length in 35 mm format terms) wide angle tilt and shift lens.

### GENERAL LENS DATA

Focal length	24.3 mm
Equivalent 35mm focal length <sup>1)</sup>	18 mm
Aperture range	4.8 - 32
Angle of view diag/hor/vert 37x49 format	104°/92°/76°
Length/diameter	99 mm/100 mm
Weight (incl. covers and lens shade)	810 g
Filter diameter	95 mm <sup>2)</sup>

<sup>1)</sup> Horizontal coverage between 37x49 and 24x36 compared

<sup>2)</sup> Filter adapter to 105 and 112 mm included. See table on page 2.

### CLOSE FOCUS RANGE DATA

Minimum distance object to film	0.38 m
Maximum image scale	1:9.7
Corresponding area of coverage	48 x 36 cm
Corresponding exposure reduction	0 f-stop

### COMPATIBILITY

- The HCD 4.8/24 mm is designed for use on the H4X, H2D, H3D, H4D and H5D cameras only.
- The HCD 4.8/24 mm lens is designed solely for digital use. This means that the lens is designed for a format of 37x49 mm and does not cover the film format (41.5x56mm) and thus the function is disabled when using a film magazine.
- The HCD 4.8/24 mm lens is not compatible with the converter 1.7x.



### LENS DESIGN

14 elements in 11 groups

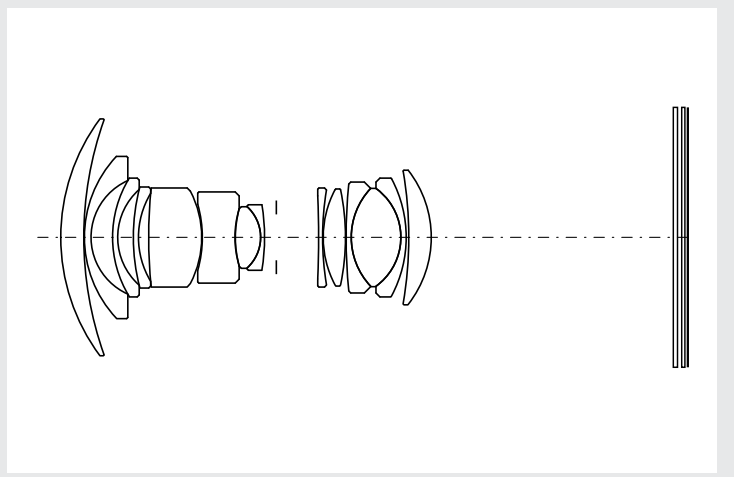
### FOCUS TYPE

Rear focusing

### ENTRANCE PUPIL POSITION

136 mm in front of the sensor plane  
(at infinite focus setting)

The entrance pupil position is the correct position of the axis of rotation when making a panorama image by combining individual images of a scene.

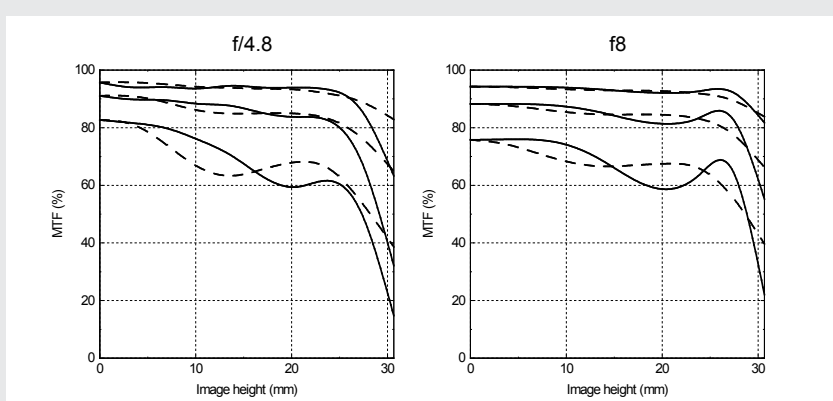


## HASSELBLAD HCD 4,8/24

### MTF

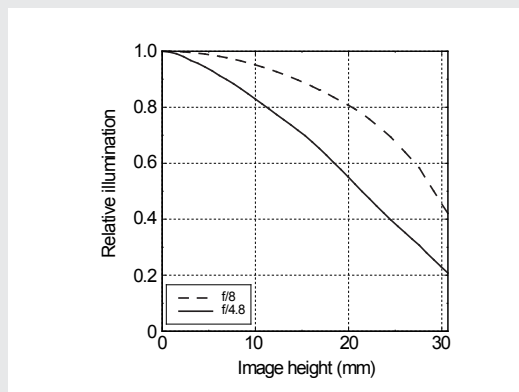
Modulation Transfer as a function of image height at infinite focus setting.

Sagittal slit orientation drawn with continuous line and tangential with dashed. White light. Spatial frequencies 10, 20 and 40 lp/mm



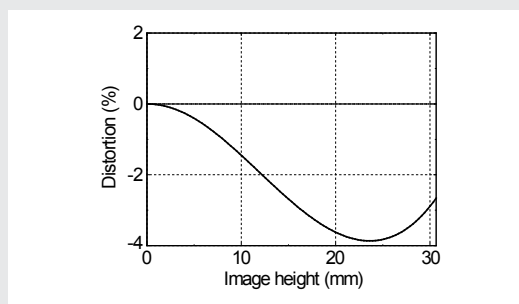
### RELATIVE ILLUMINATION

Infinity setting



### DISTORTION

Infinity setting



### FILTER SIZE REQUIREMENTS

HCD 24mm used on	Required filter size
40 Mpix (32.9x43.8)	UV-Sky: 95mm / Pola: 95mm
50 Mpix (49.1x36.7)	UV-Sky: 95mm slim <sup>1)</sup> / Pola: 105mm <sup>1)</sup>
60 Mpix (53.7x40.2)	105mm slim <sup>1)</sup> / Pola: 112mm <sup>1)</sup>
HTS 1.5x	Not suitable for extreme settings

1) Not available from Hasselblad