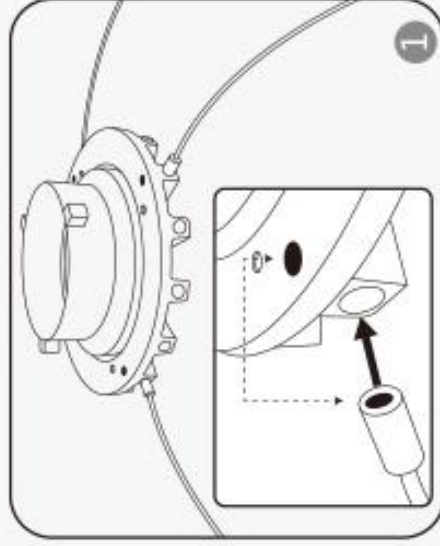
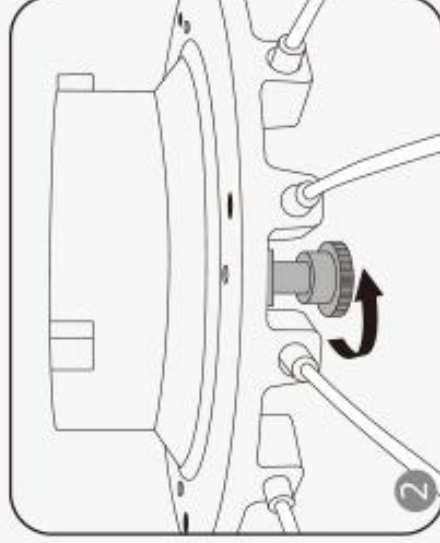


Installation



Red dot match: Insert bracket to speed ring adapter, symmetrically install all bracket



Use clamp handle to fasten the speedring adapter



Stick magic strip well